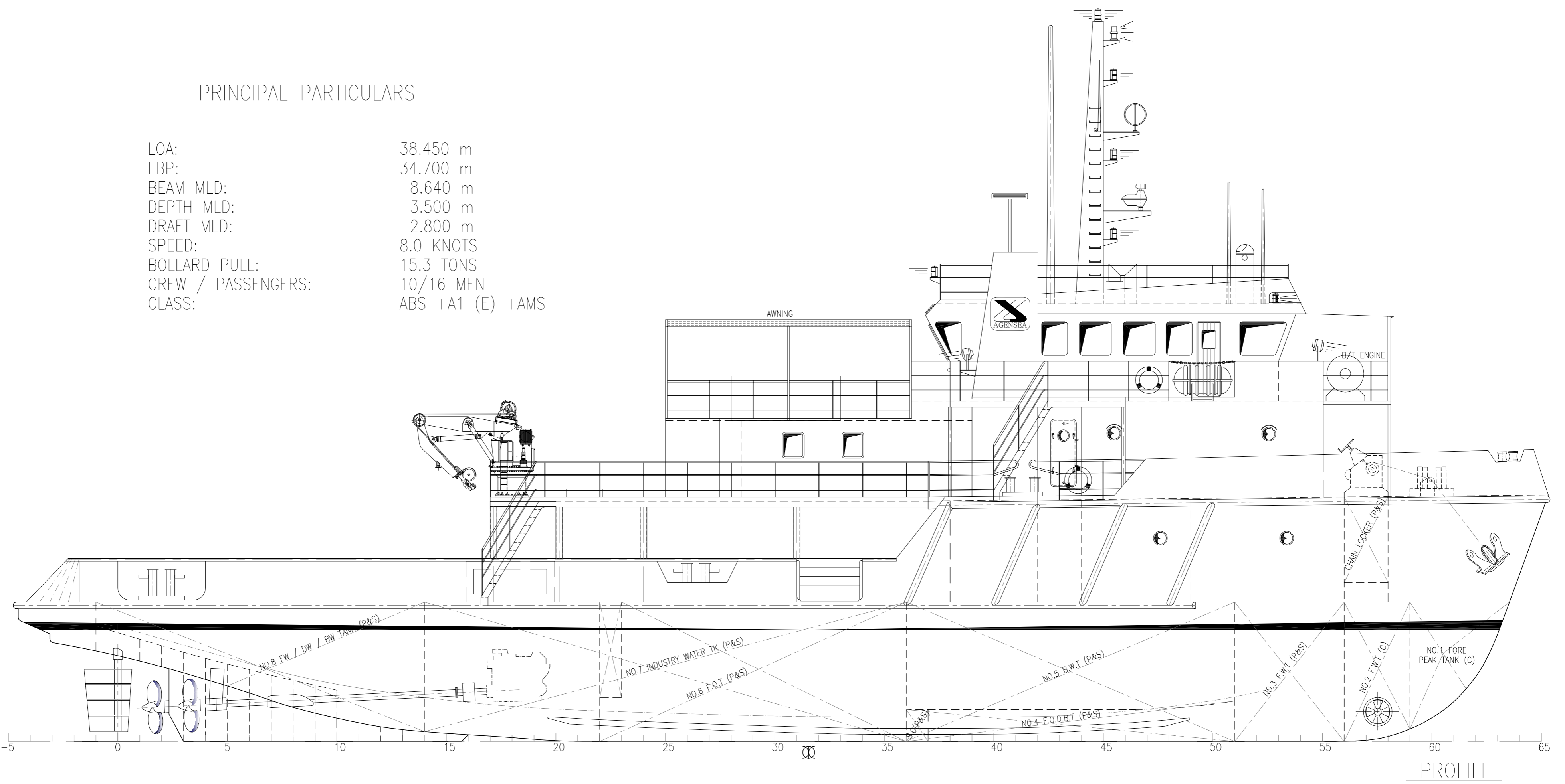
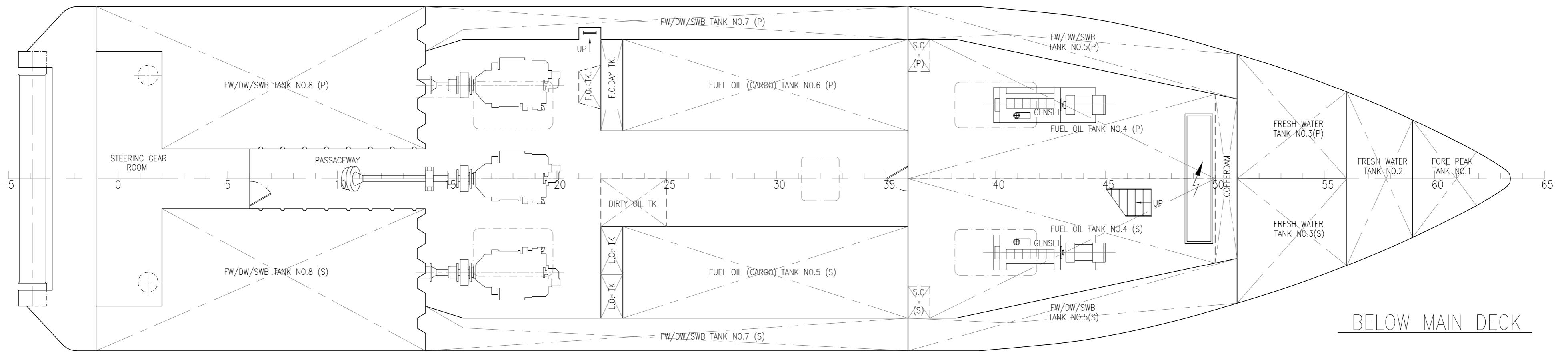


PRINCIPAL PARTICULARS

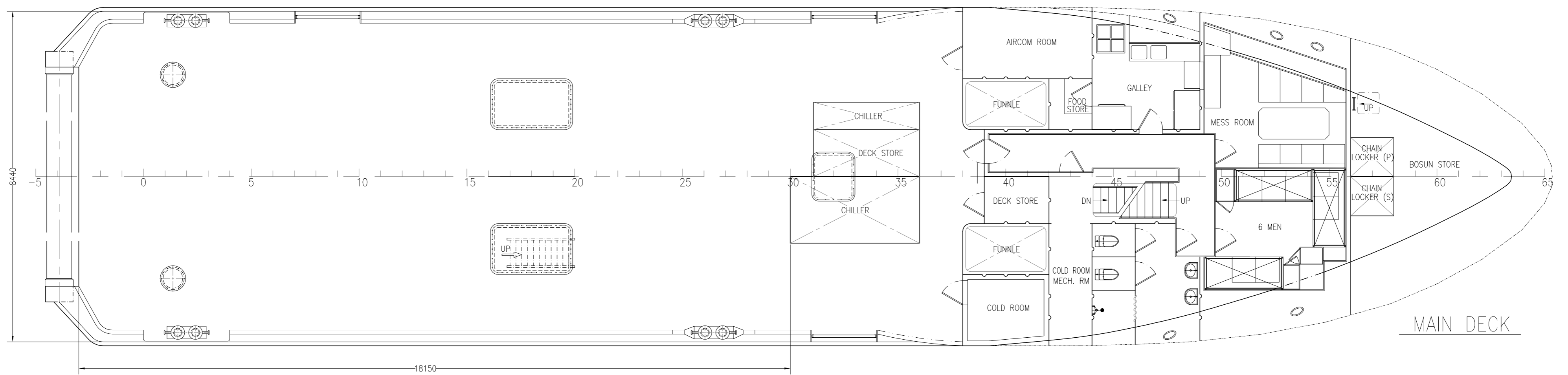
LOA: 38.450 m  
 LBP: 34.700 m  
 BEAM MLD: 8.640 m  
 DEPTH MLD: 3.500 m  
 DRAFT MLD: 2.800 m  
 SPEED: 8.0 KNOTS  
 BOLLARD PULL: 15.3 TONS  
 CREW / PASSENGERS: 10/16 MEN  
 CLASS: ABS +A1 (E) +AMS



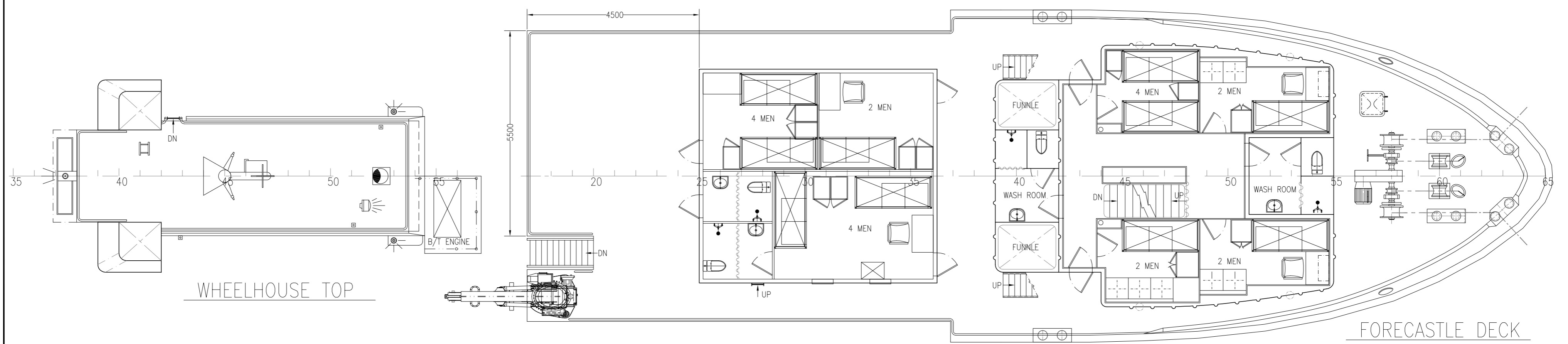
PROFILE



BELOW MAIN DECK



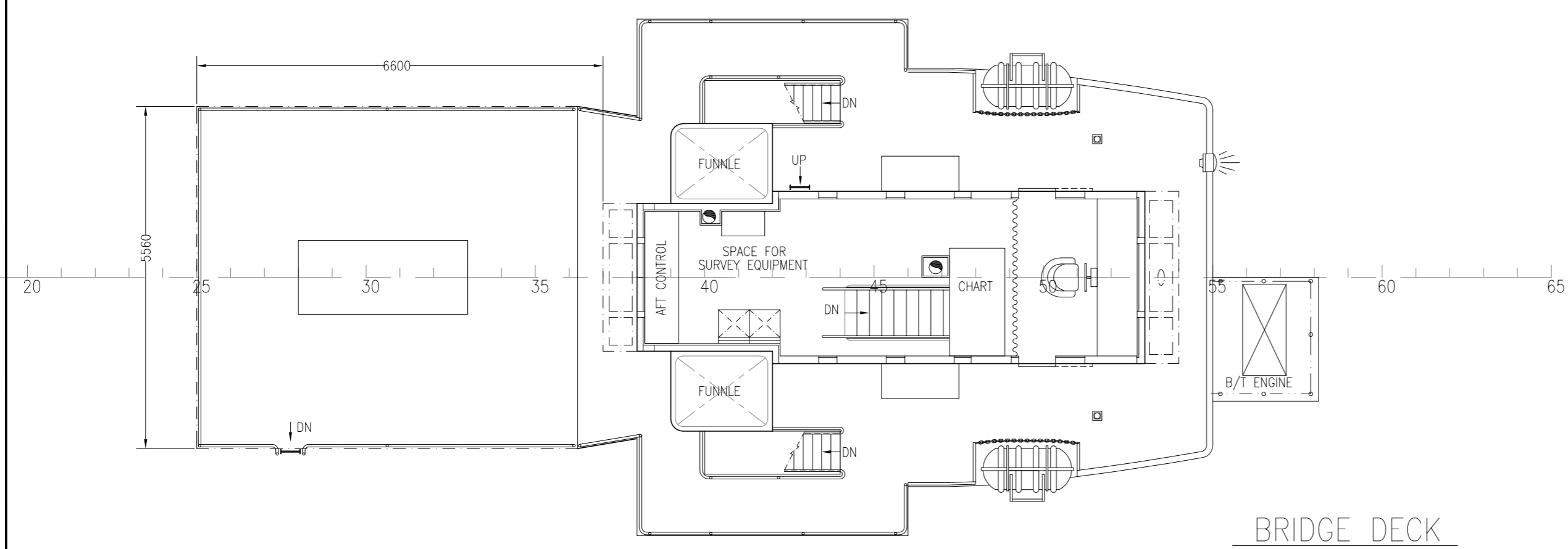
MAIN DECK




FORECASTLE DECK



WHEELHOUSE TOP



BRIDGE DECK

C	UPDATED ASBUILT	13-11-14	PRAMESH
Rev.	Detail of Modifications	Date	Done by
 <b>JENJOSH MARINE DESIGN PTE LTD</b> NO.2 SOON WING ROAD, #06-01 SOON WING INDUSTRIAL BUILDING SINGAPORE-347893 Tel:(65)6848 4505 Fax:(65)6848 4816 E-Mail: info@jenjoshgroup.com			
Client :	<b>TRINITY OFFSHORE PTE LTD</b>		
Project :	<b>MV TRINITY SEEKER</b>		
Title :	<b>GENERAL ARRANGEMENT</b>		
Drawn : GS	Proj. No. : JJ0042	Scale : 1 : 75	Date : 07/06/2008
Checked : SJ	Dwg. No. : JJ0042-03	Sht. No. 1 OF 1	Rev. : B