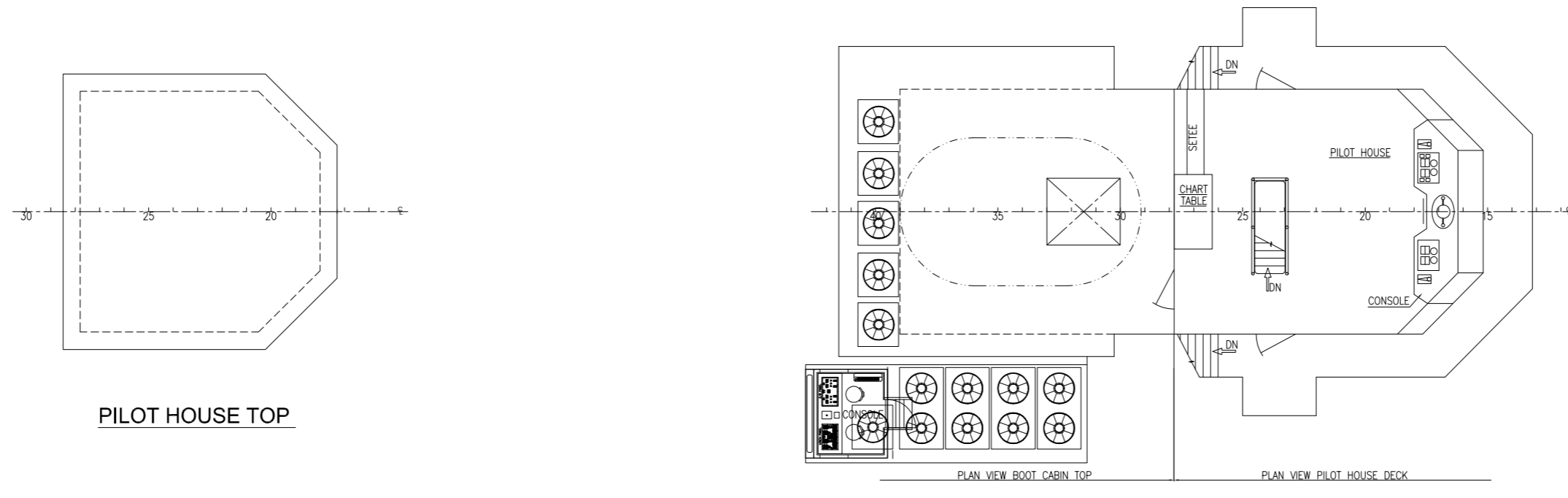
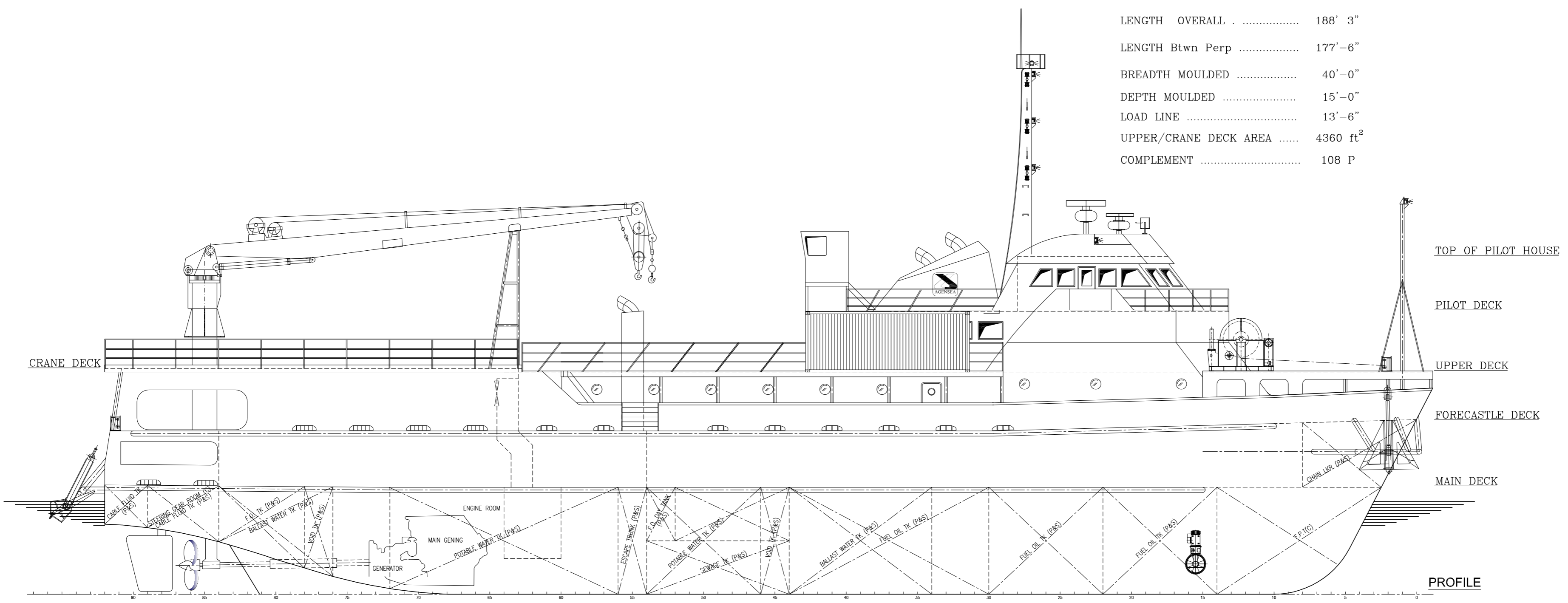
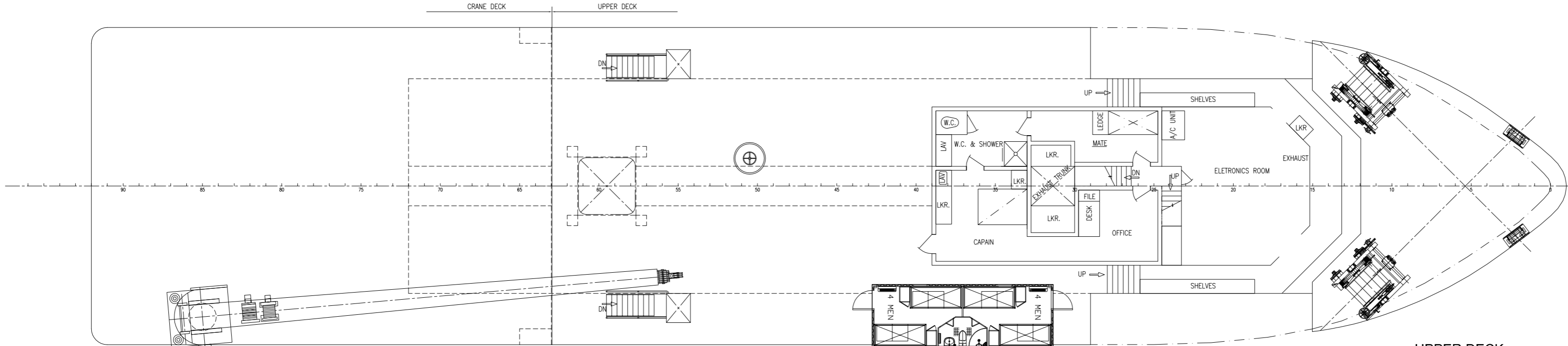


PRINCIPAL PARTICULARS

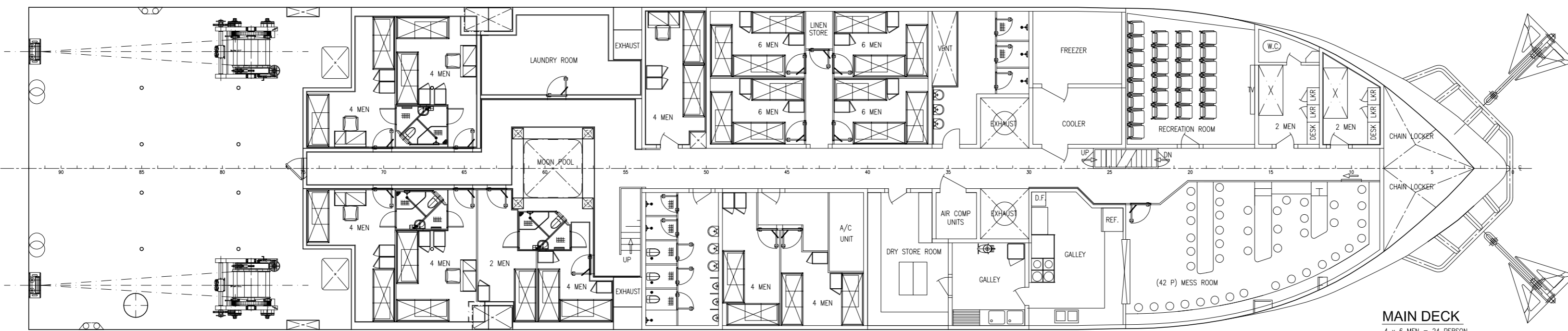
LENGTH OVERALL .....	188'-3"
LENGTH Btwn Perp .....	177'-6"
BREADTH MOULDED .....	40'-0"
DEPTH MOULDED .....	15'-0"
LOAD LINE .....	13'-6"
UPPER/CRANE DECK AREA .....	4360 ft <sup>2</sup>
COMPLEMENT .....	108 P



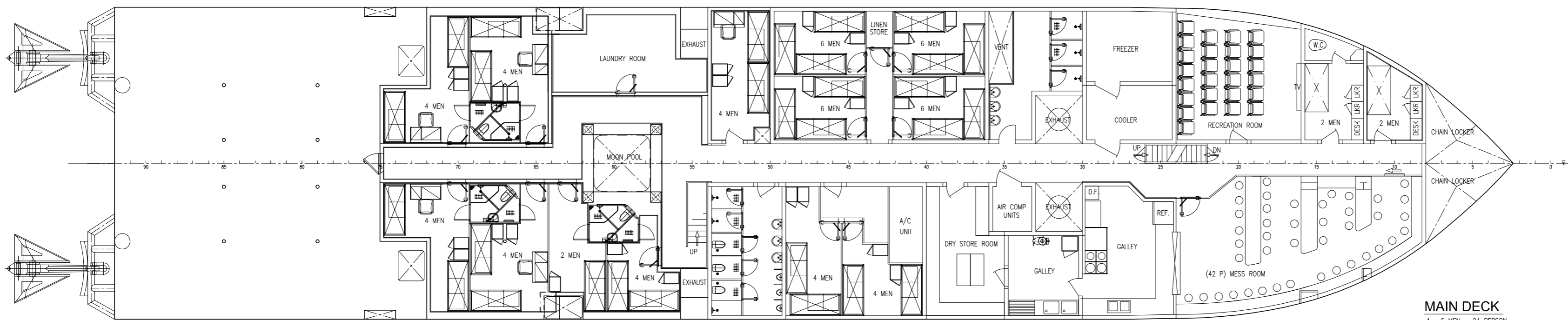
PILOT HOUSE



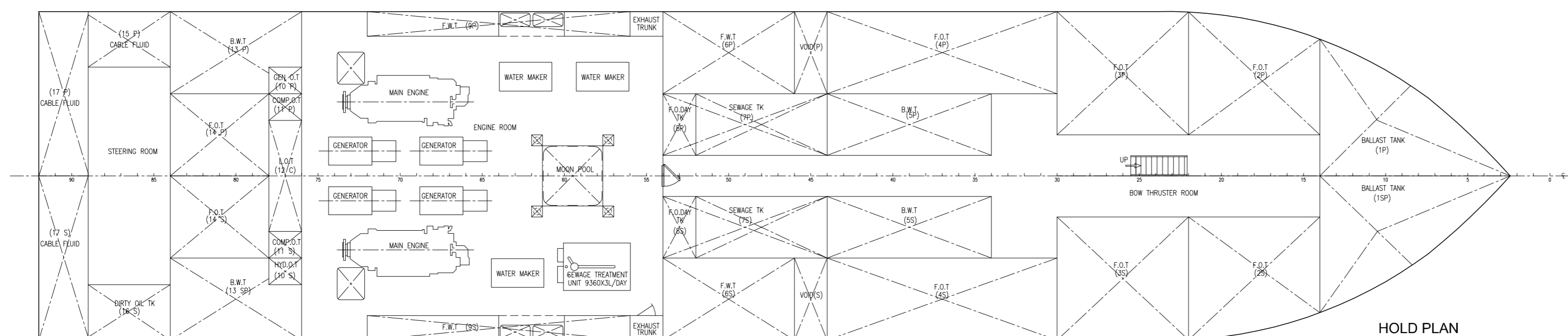
UPPER DECK  
1 x 1 MEN = 1 PERSON  
1 x 2 MEN = 2 PERSON



MAIN DECK  
4 x 6 MEN = 24 PERSON  
6 x 4 MEN = 24 PERSON  
3 x 2 MEN = 6 PERSON



MAIN DECK  
4 x 6 MEN = 24 PERSON  
6 x 4 MEN = 24 PERSON  
3 x 2 MEN = 6 PERSON



HOLD PLAN

Drawn by: S.J.	Checked by: S.J.	Scale: 1/12"=1'
Date:	Reason for Issue:	Drawn: S.J.
<p>AGENSEA PTE. LTD. NO. 4 LORONG CRESCENT, SINGAPORE 088979 TEL. NO. 65451000 FAX NO. 65451000 EMAIL ADDRESS: agensea@ag.com.sg</p>		
<p>TRINITY EXPLORER GENERAL ARRANGEMENT OPTION 1</p>		
Rev:	Date:	Reason for Issue: