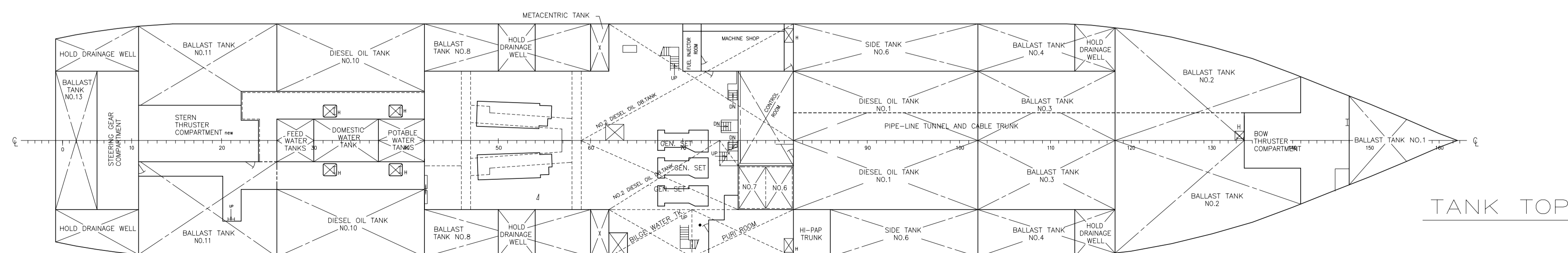
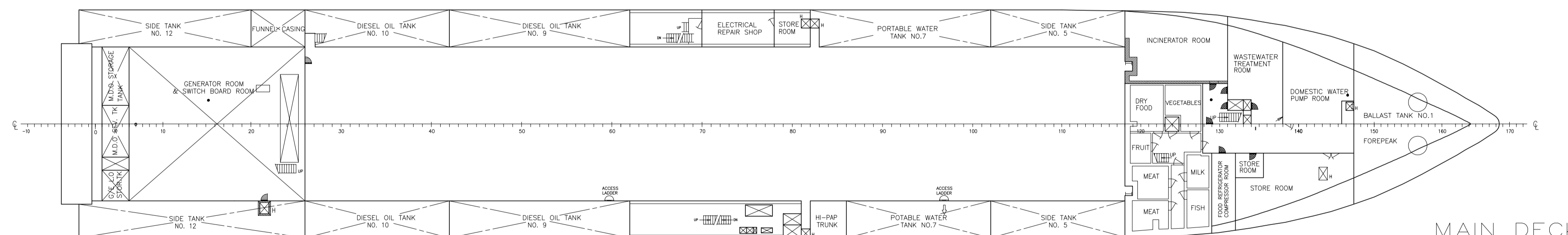
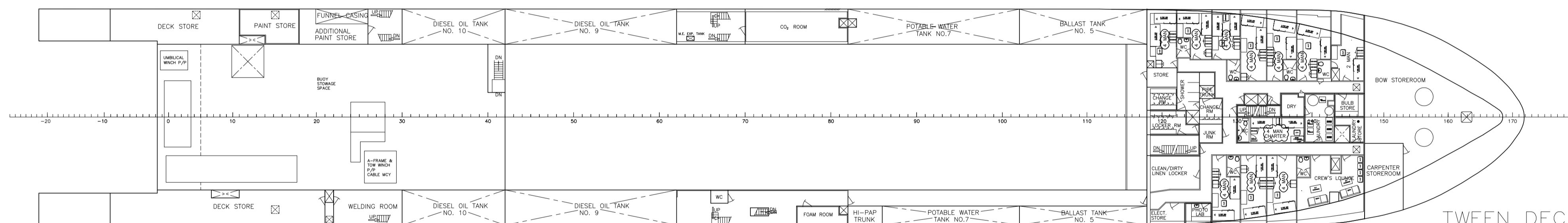
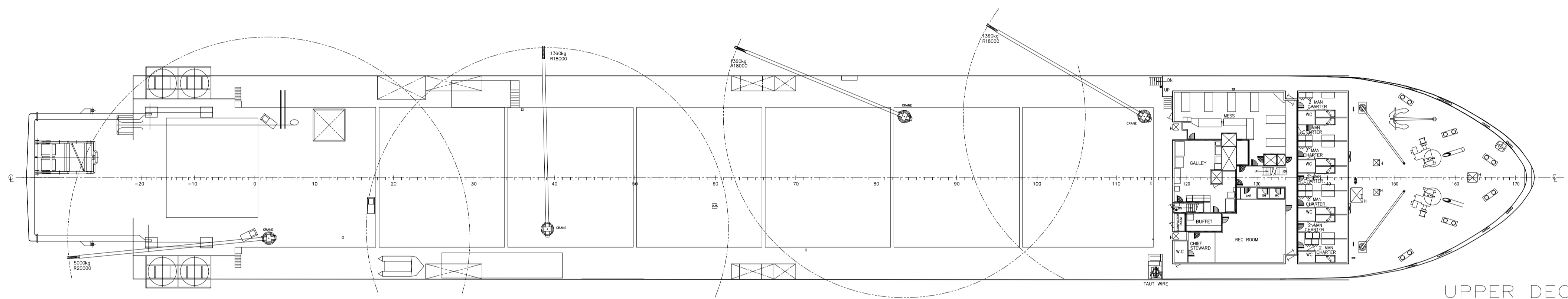
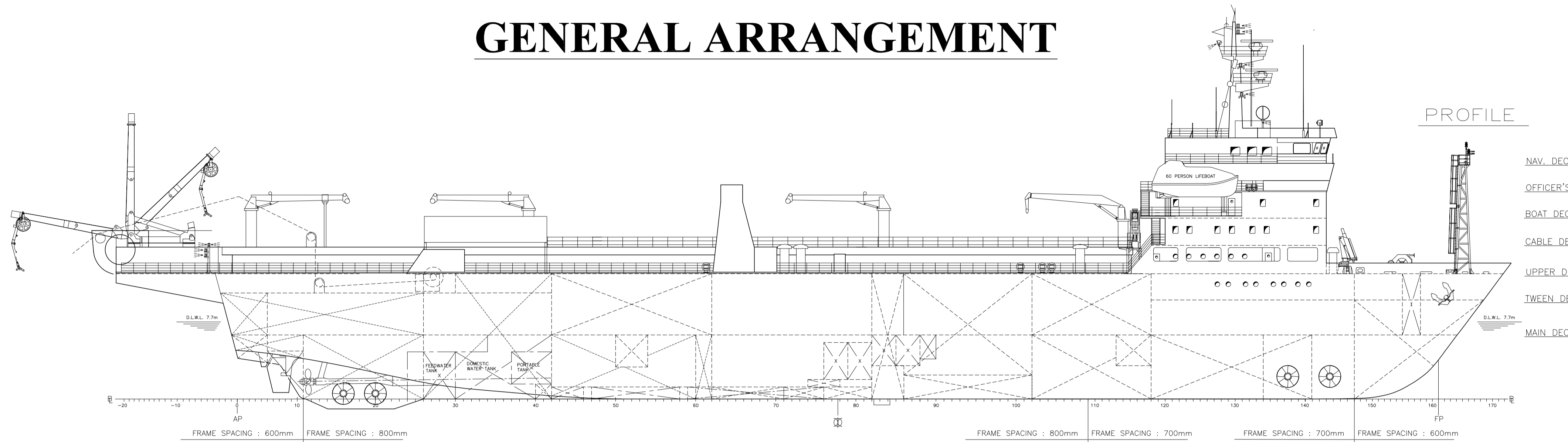
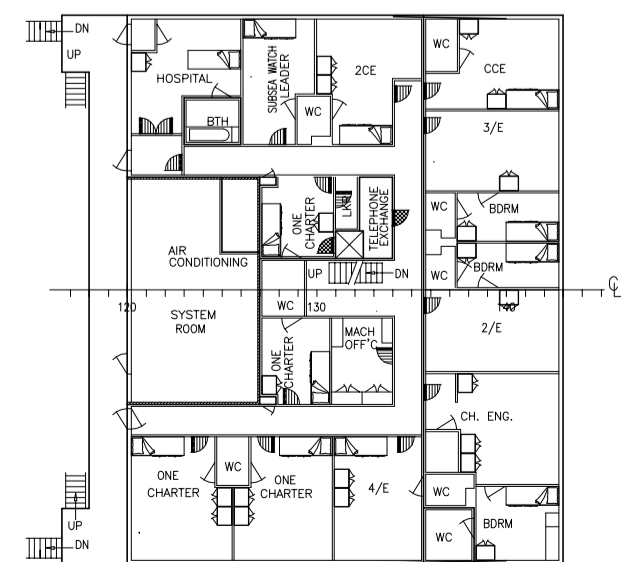
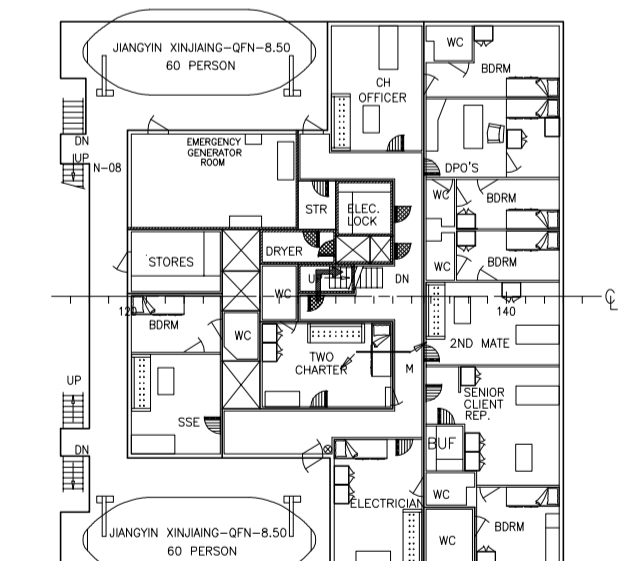
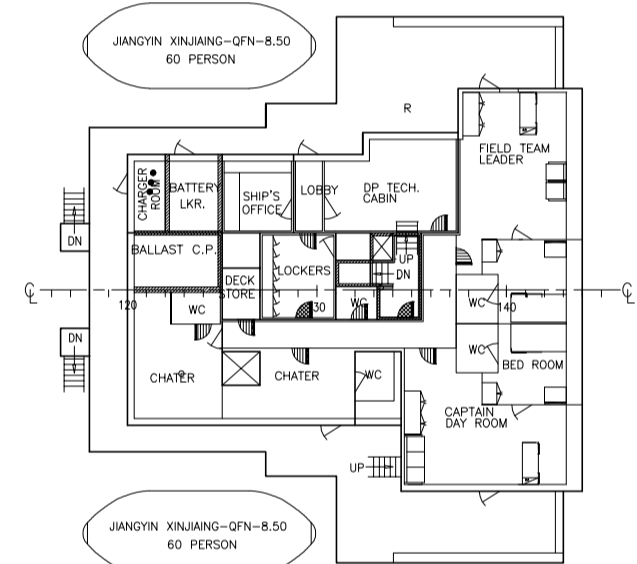
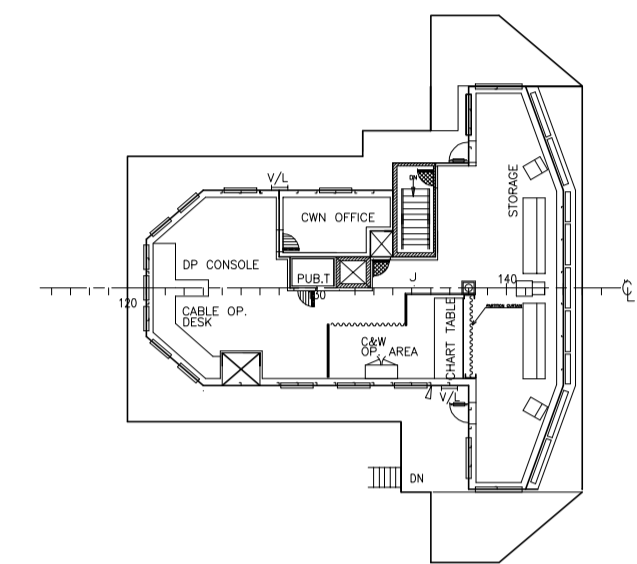
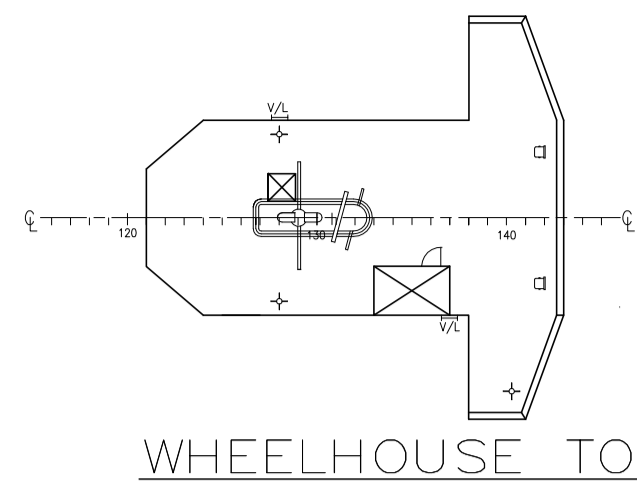


GENERAL ARRANGEMENT



PRINCIPAL PARTICULARS	
LOA	139.50 M
LBP	120.00 M
BEAM	20.20 M
DEPTH	12.60 M
SLWL DRAFT	7.70 M
GROSS TONNAGE	9611 TON
NET TONNAGE	2884 TON
VOYAGE CLASS	INTERNATIONAL OCEAN GOING
SHIP TYPE	OFFSHORE SUPPORT / UTILITY SHIP
CREW COMPLEMENT	25 CREW
	35 CHARTERS
	60 TOTAL

MARINE DESIGNS PTE LTD		
NO. 4 LOYANG CRESCENT, SINGAPORE 508979		
TEL. NO. 65431000 FAX. NO. 65451000		
EMAIL ADDRESS : admin@trinityoffshore.com		
PROJECT	BOLD ENDURANCE	HULL NO. XXX
TITLE	GENERAL ARRANGEMENT	
DATE	19.10.2013	SCALE : 1 : 200
DRAWN BY :	PANKAJ	PROJECT NO : P1002
CHECKED BY :	SNJ	DRG NO : TOPL-BE-103 REV. A